

BALTOGRAPH TSD160/0



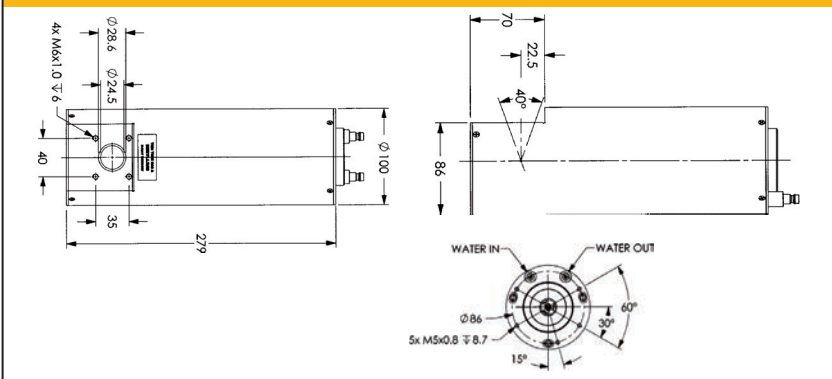
Max high voltage:	160 kV
Nominal power:	640 / 3000
Focal spot size (EN12543):	1 - 5,5
Beam angle:	40°
Target angle:	20°
Inherent Filtration (mm):	0,8 Be
Anode cooling type:	Water
Cooling flow rate:	4l/min
Leakage:	2,5mSv/h@1m
Max current:	15 / 40 mA
Weight :	8 kg
Tubehead:	Metal Ceramic

The TSD160/0 is a universal Monopolar tube for light alloys, composites or small to medium steel thicknesses. Due to the combination of a large and a small focus into the same tube, the tube is ideal for all purposes applications where either power or definitions may be required. The large focus allows you to drive up to 3 kW power for applications where thicknesses are high or material is highly absorbent. The small focus will be preferred for applications with magnification of on very light material and thicknesses or with a radiosopic application.

The outside diameter of the housing is barely 100 mm which will ensure that the tube can be inserted even in tiny spaces. The tube shielding is internal and reduces the radiation leakage to less than 1 R/h @ 1 m as required by International standards. In and out fluid inlets are mounted with universal connectors while the HV plug cone is a R24.

This tube can be used with all brands of generators provided that the load curve can be adapted. See our specialists if you intend to connect this tube to another unit than a BALTEAU.

MECHANICAL DRAWING



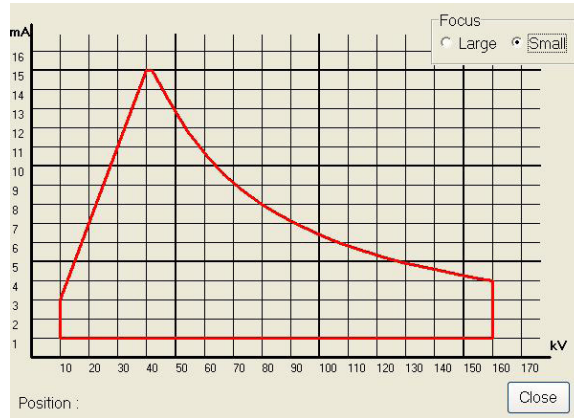
Specifications

Max. High voltage	kV	160	Nominal power	W	640/3000
Tube type		Metal Ceramic	Inherent filtration	mm	0,8 Be
Beam angle		40°	Target angle		20°
Cooling mode		Water	Leakage *	mSv/h @1m	2,5
HV Connector		R24	Cooling flow rate	l/min	4
Part number		04841100	Weight	Kg	8

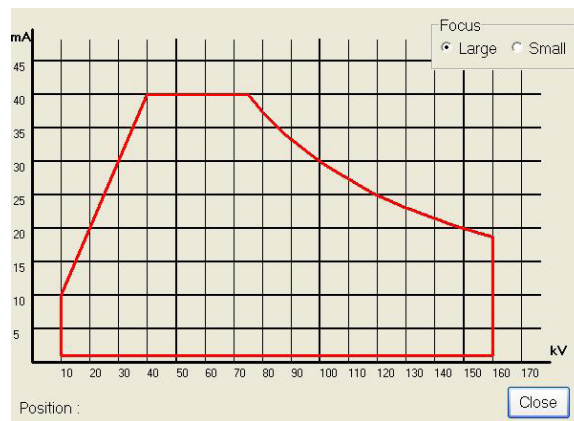
Small Focal			Large Focal		
Max. Current @ kV Max.	mA	4	Max. Current @ kV Max.	mA	19
Focal spot EN12543	d	1	Focal spot EN12543	d	5,5
Max. Current	mA	15	Max. Current	mA	40

* Leakage radiation max at 1m in mSv/h at nominal kV

Load curves



SMALL FOCAL



LARGE FOCAL

Load curves are indicative as they display the theoretical capacity of the target that may be modified by the HV generator connected and/or by user's settings. Please consult our engineers for up to date information and data related to your generator.

STANDARD EQUIPMENT

Part designation

Fittings for water hose connections d=8 and d=12 mm

OPTIONAL ACCESSORIES

Part designation

Quick flanges with key

Tube Accessories Support

Lead shutter

Four legs stand

Tube collimator



Russell Fraser Sales Pty Ltd

Unit 7/38 Waratah St
Kirrawee NSW 2232

Ph: (02) 9545 4433
Fax: (02) 9545 4218

Email: rfs@rfsales.com.au
Web: www.rfsales.com.au

ABN: 79 074 258 549