

BALTOSPOTGFC165



High voltage range:	50 to 160kV
Tube current range:	1 to 5 mA
Beam angle:	360° x 40°
Inherent Filtration (mm):	7 Al
Anode cooling type:	Air
Duty cycle:	100%**
Insulation:	SF6 gas
Mains:	180 - 260V
Temp. switch:	70°C
Weight (without rings):	12,3 kg
Tubehead:	Glass
Control Unit:	CF2000 or Hand-X

MAIN FEATURES

- High frequency
- Air cooled
- Panoramic tubehead
- Unique energy recovery module
- Rugged and light control unit
- Safety first, x-ray start with 2 buttons
- Full automatic preheating
- Cables with reduced size and weight
- Extremely compact & lightweight
- Factory set beam homogeneity
- Low power requirement



Canon mil. metallic connector

KEY ADVANTAGES

- High stability output dose
- Lightweight
- Can be delivered with our 900g Hand-X including a Geiger-Müller detector
- Low power consumption
- Unmatched safety
- Very reliable
- Long term stable density
- Ergonomic guard rings
- CANON mil. metallic connectors

MOST COMMON APPLICATIONS

- Oil & Gas
- Shipyard building & Building sites
- Petrochemical & Power plants
- Tanks, reservoirs & pressure vessels
- Inspection companies & training centers
- Conventional films or CR applications



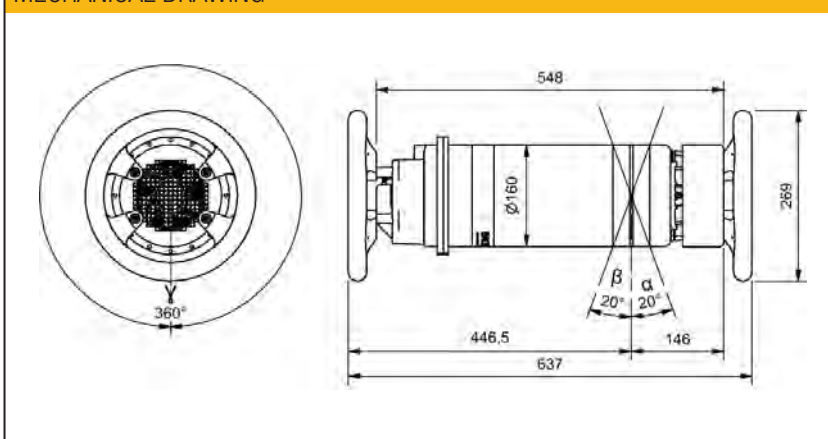
The GFC165 is a panoramic portable unit derived from our well known Crawler series but designed to be operated on field without mechanical carriage.

It will easily surpass the poor contrast of Isotopes and will be a very interesting replacement in lower thickness ranges where Isotopes are generally not allowed.

In combination with a GFD (Directional) or a CERAM, the GFC165 is the ideal machine for field applications where the unit needs to be frequently moved or inserted in tiny spaces. Guard rings can be removed and a cradle can be used to perform difficult inspections.



MECHANICAL DRAWING



This unit has to be combined to one of the two available type of control units (CF2000 or Hand X), with very lightweight new generation of cables..

INTERNATIONAL

- CE certified
- NFC74-100 LCIE Certified
- Manufactured under ISO9001

Specifications

	Units
High voltage range:	<i>kV</i>
Tube current range:	<i>mA</i>
Maximum anode power dissipation:	<i>Watt</i>
Beam angle:	
Focal spot size (IEC336):	<i>mm</i>
Steel penetration at max (*):	<i>mm</i>
Max recommended temp.:	<i>°C</i>
Temperature switch:	<i>°C</i>
Inherent filtration:	<i>mm (Al)</i>
Anode cooling type:	
Duty cycle:	<i>%</i>
Mains:	<i>V</i>
Weight (without rings):	<i>Kg</i>
Tubehead:	
Control unit:	

GFC165
50 - 160
1 - 5
800
360° x 40°
Ø4 x 0.9
14
50°
70°
7
Air
100**
180 - 260
12,3
Glass
CF2000 or Hand-X

* FFD= 700mm/Film Carestream Industrex AA400/D=2.0/t=10min.
 **At a temperature of 30°C reduced mA.



CF2000

- kV min step: **1**
- mA min step: **0,1**
- Time min step: **1 sec up to 99min 59sec**
- Memories: **100 last exposure/memories**
- Display: **4 lines, green back lighting**
- Mains: **170-260 V**
- Weight: **12,5kg**

STANDARD EQUIPMENT

- Internal pressure gauge
- Heavy duty lock type connector
- 20m connecting cable for control unit
- 10m power cable
- Heavy duty hand rings
- Bag for accessories



Hand-X (Wireless remote control)

- kV min step: **1**
- mA min step: **0,1**
- Time min step: **1 sec up to 99min 59sec**
- Memories: **100 last exposure/memories**
- Display: **4 lines, green back lighting**
- Battery: **8h charge capacity**
- Weight: **900g**

OPTIONAL EQUIPMENT

- AVARA/P
- Warning flashing light & repeater
- Transport case
- Cradle
- Hydraulic stand
- 100-260 V adapter
- Ring lead screen allowing directional shot
- Telescopic centering rods



Russell Fraser Sales Pty Ltd

Unit 7/38 Waratah St
 Kirrawee NSW 2232

Ph: (02) 9545 4433
 Fax: (02) 9545 4218

Email: rfs@rfsales.com.au
 Web: www.rfsales.com.au

ABN: 79 074 258 549