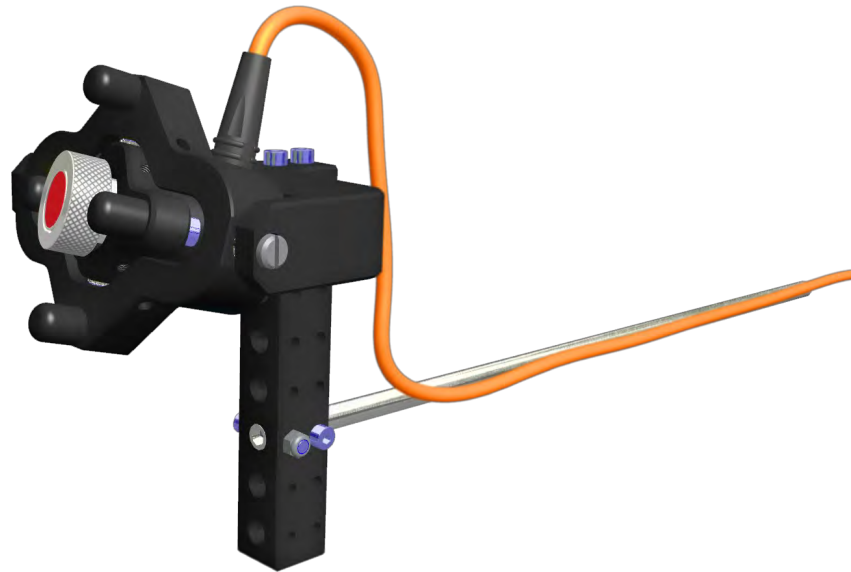


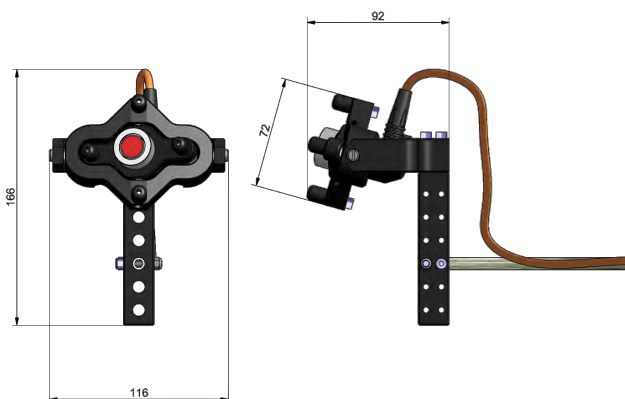
Cygnus G1

Observation, Inspection, Light work Class ROV Probe Handler



The Cygnus G1 Probe Handler is designed for use on Observation, Inspection and Light-work class ROVs. Constructed from acetal it is both strong and lightweight, it features an adjustable mounting bracket allowing optimum positioning of the UT probe. The UT probe is located in an articulated mount that allows up to 15 degrees of movement in both planes allowing automatic alignment of the probe face to the measurement surface making the ROV pilot's job easier.

Dimensions



Probe Options



Nosecone
for
MiniROV

MCIL2M
for
M5-ROV-2K
M5-ROV-4K

Part Numbers for Probes

001-8354 2.25 MHz Nosecone

001-8355 2.25 MHz MCIL2M

Specifications

Size	92 x 116 x 166mm (3.6 x 4.6 x 6.5")
Weight in Air	0.3 Kg (0.66 lbs)
Depth Rating	2000 msw
Material	Acetal with 316 Stainless Steel Fixings
Probe Types	2.25 MHz 13mm with Membrane (3.5 MHz & 5MHz at special request)
Probe Cable	0.95 m Double Jacket Coaxial (other lengths at special request)
Warranty	3 Years
Warranty (Probe)	6 Months
Part Number	001-8351 G1 Probe Handler

Ordering Information

When ordering the G1 Probe Handler you must order the appropriate Probe separately.

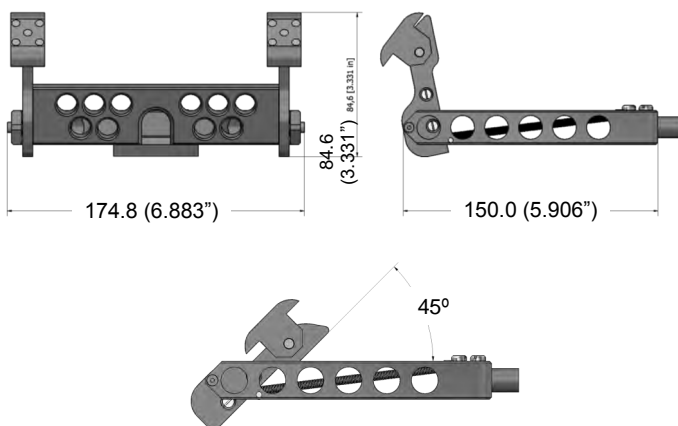
*Example. 001-8351 + 001-8355 =
G1 Probe Holder and Probe with MCIL2M Connection*

Cygnus S1 Probe Handler for ROV Ship Hull Inspection



The Cygnus S1 Probe Handler is designed for performing UT thickness surveys on ships' hulls with an Observation or Light work class ROV. On contact with the hull plate two sets of magnets first grip the steel, then as the ROV pushes forward the UT probe is allowed to tilt to align it to the hull surface placing the UT probe in the optimal position for measurement with the ROV pilot just having to maintain gentle forward thrust while the measurement is taken. The S1 probe holder is constructed from acetyl with stainless steel fixings keeping the overall weight down.

Dimensions



Specifications

Size	175 x 150 x 85 mm (6.9" x 6" x 3.3") <i>Excluding handle</i>
Weight in Air	0.29 Kg (10 oz)
Depth Rating	2000 msw
Material	Black Acetyl with Stainless Fixings
Probe Types	2.25 MHz 13mm with Membrane (3.5 MHz & 5MHz at special request)
Probe Cable	0.95 m Coaxial (other lengths at special request)
Warranty	3 Years
Warranty (Probe)	6 Months
Part Numbers	001-8331 S1 Probe Handler

Probe Options



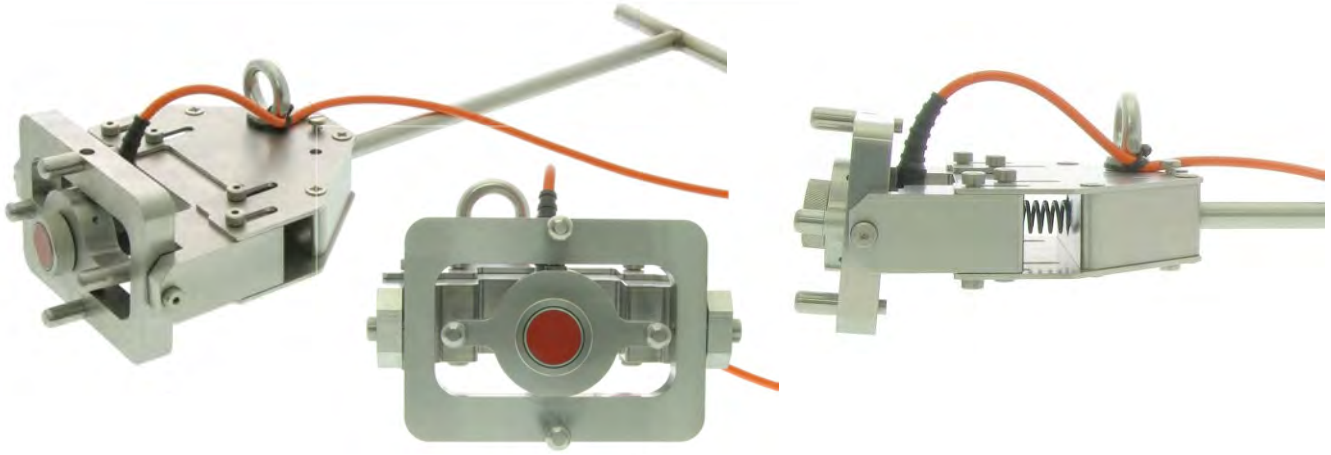
Part Numbers for Probes
001-8334 2.25 MHz Nosecone
001-8335 2.25 MHz MCIL2M

Ordering Information

When ordering the S1 Probe Handler you must order the appropriate Probe separately.

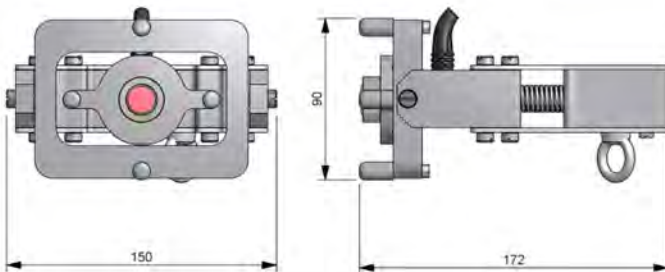
*Example. 001-8331 + 001-8334 =
S1 Probe Holder and Probe with Nosecone Connection*

Cygnus W1 Work Class ROV Probe Handler

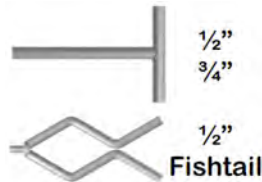


The Cygnus W1 Probe Handler is designed for use on Work Class ROVs. It can be held by a manipulator arm and supplied with either T bar or Fish Tail handles. It is constructed from 316 stainless steel throughout. Ultrasonic probe alignment is provided by a double jointed coupling that provides 15 degrees of movement in both planes guided by four pins. A shock absorbing spring reduces any impact loading on the unit. The design allows the manipulator arm to present the ultrasonic probe to the surface to be measured, any misalignment will be taken up by the coupling resulting in less movement of the manipulator arm position.

Dimensions



Handle Options



Specifications

Size	170 x 150 x 90 mm (6.7" x 6" x 3.5") <i>Excluding handle</i>
Weight in Air	5 Kg (11 lbs)
Depth Rating	3000 msw
Material	316 Stainless Steel
Spring Force	15 Kg spring starts to compress
Probe Types	2.25 MHz 13mm with Membrane (3.5 MHz & 5MHz at special request)
Probe Cable	5 m Double Jacket Coaxial (other lengths at special request)
Cable Termination	Nosecone compatible with Cygnus ROV systems
Warranty	3 Years / 6 Months on probe

Part Numbers **Handler:**
001-8311 W1 Handler less probe & handle

Probes:
001-8318 Probe for W1 & M5 ROV 2km or 4km rated, with 5m cable
001-8317 Probe for W1 & M4 ROV 500m, 1Km or 3km rated (nosecone) with 5m cable

Handles:
001-8315 1/2" T-Bar Handle
001-8314 3/4" T-Bar Handle
001-8316 1/2" Fishtail Handle

When ordering please select the W1 Handler P/N 001-8311 plus your selection of probe type and handle type to suit your requirements.