

ACCESSORIES **AVARA-P**



Dimensions:	<b>310 x 272,6 x 118,1 mm</b>
Power supply:	<b>230 VAC</b>
Battery lifetime:	<b>+/- 20h</b> (continuous use)
Smart battery charger:	<b>Internal</b>
Energy range	<b>60 to 2000 keV</b>
Audible alert power:	<b>90 dBA</b>
Visual alert power:	<b>3W</b>
Weight :	<b>5,6 kg</b>
Protection:	<b>IP62</b>
Operating temperature:	<b>-15 to 50°C</b>
Geiger Müller detector (RX & Gamma)	
CE manufacturing process	

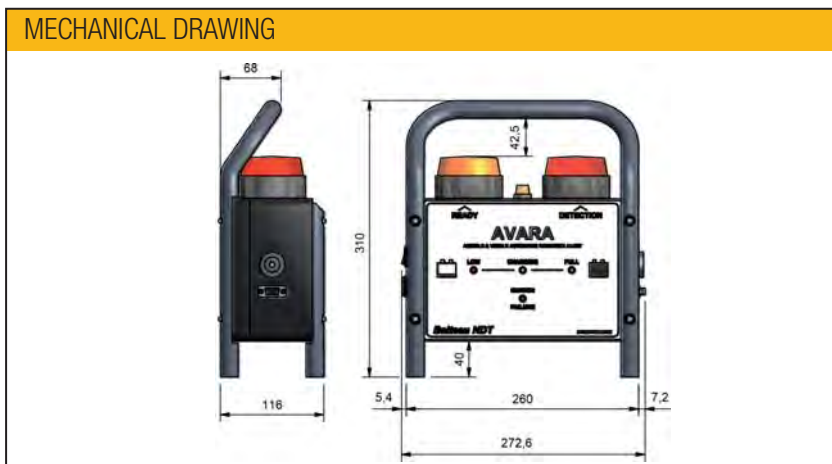
**MAIN FEATURES**

- Monitoring instrument
- Audible alarm (can be heard up to 35m)
- Visible alarm
- Portable radiation alert
- Works for the X & gamma radiation
- Increase security
- Auto-check led
- Geiger-Müller detector
- Orange flash when the AVARA is ready
- Red flash when radiation detected

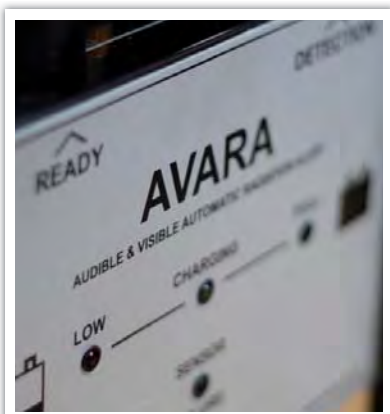
**KEY ADVANTAGES**

- Flexibility and mobility
- Designed to be used on field
- Efficient on field
- Can work independently
- Small size and light
- Robust (protection : casing)
- Ergonomic handle
- Rechargeable battery
- Data retrieving (RS232 connector)

**MECHANICAL DRAWING**



**AVARA/P, Audible & Visible Automatic Portable Radiation Alert is part of a complete range of Balteau products dedicated to Safety, Measurements and Quality improvement.**

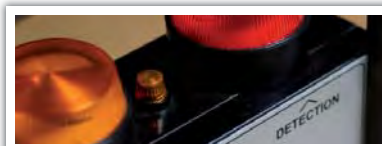


*An accurate monitoring of the radiation level in a controlled area is most of the time a legal obligation but also an essential measure in order to protect the people around.*

*The basic Safety principles of Radio protection (ALARA – As low as reasonably achievable) must always be followed when performing an exposure not only in the parameters selection, but also in the exposure settings.*

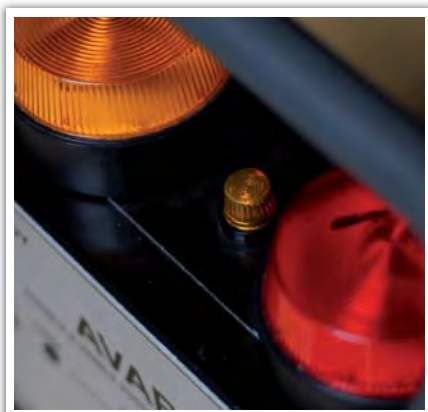
**INTERNATIONAL**

- CE certified
- NFC74-100 LCIE Certified
- Manufactured under ISO9001



*AVARA/P is a stand alone detector allowing the operator to monitor closely the working area. As soon as the unit detects X or Gamma radiation, an audible and visible alert informs the operator that the zone where the unit is located is being irradiated. AVARA/P is the unavoidable tool for an efficient control of a specific area in order to guarantee a maximum security to the operator and other people standing close to the working zone.*

Specifications	Units	AVARA-P
Size	mm	310 x 272,6 x 118,1
	Inch	12,24" x 8,27" x 3,54"
Weight	kg	5,6
Protection		IP62
Quality assurance	mm	CE manufacturing process
Power supply	VAC	230 (0.25A)
Battery lifetime (continuous use)		+/-20h
Smart battery charger		Internal
Unit Switch on/off		
Connector for additional Clignotix		1
Geiger Müller detector (RX & Gamma)		
Energy range	keV	60 to 2000
Sensitivity	Cps/mR/h	1,4
Audible alert power (flash)	dBa	90
Visual alert power (buzzer)	W	3
Auto-check led		
Operating temperature	°C	-15 to 50
Storage temperature	°C	-20 to 70
Relative humidity	%	10 to 95



### OPTIONAL EQUIPMENT

- External flashing lamp
- Data retrieving
- Update software (RS232)

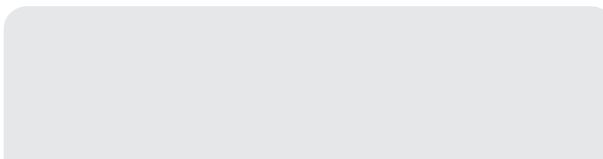
### DIVERS

- Embedded flashing lamp
- Data logging and data communication
- Auto-check

### Produced by:

**Balteu NDT**  
 Rue Voie de Liège, 12  
 B-4681 Hermalle Sous Argenteau  
 Belgium

### Distributed by:



## Russell Fraser Sales Pty Ltd

Unit 7/38 Waratah St  
 Kirrawee NSW 2232

Ph: (02) 9545 4433  
 Fax: (02) 9545 4218

Email: rfs@rfsales.com.au  
 Web: www.rfsales.com.au

ABN: 79 074 258 549