

# PUSH/PULL REMOTE CONTROL WINDING MECHANISM

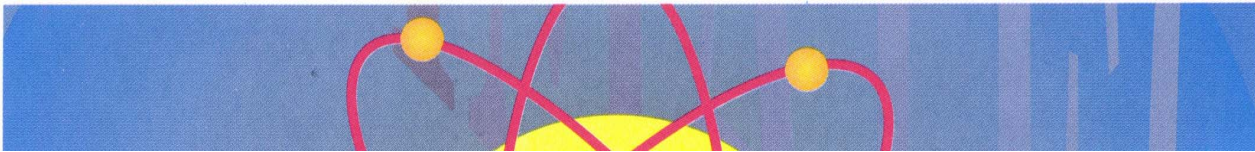
Gammatec's Push/Pull Remote Control Winding Mechanism is designed for winding out isotopes on all recognized industrial gamma projectors used in gamma radiography inspection.

The units are available in either reel or pistol-grip versions. These are of light-weight construction and standard accessories include inner drive cable, outer hoses, gearbox and connector fittings.

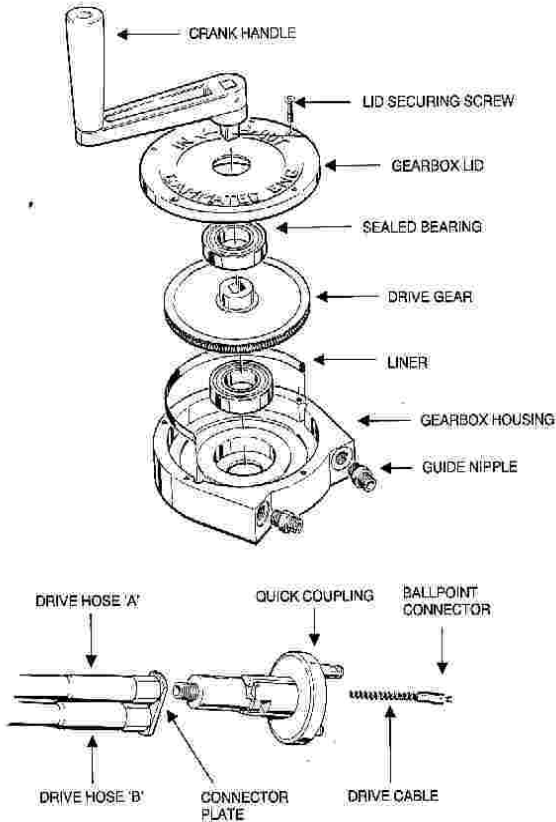
To ensure a smooth push/pull operation, the robust and lightweight aluminum gearbox housing incorporates two dust-proof ball races as well as a 100mm diameter brass gear with a cable pressure spring which provides maximum contact between gear and cable at all times.

The instrument is manufactured in South Africa by Gammatec and conforms to ISO CD 3999 and SABS 1317 - 1980 standards





**GAMMATEC WINDING MECHANISM  
FOR TECH/OPS MOD 660 PROJECTORS**



## Technical Specifications

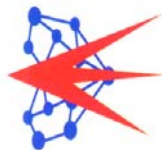
•Gear	Designed for Series 40 cable
•Cable entry wrap	270°
•Cable travel	348mm per revolution
•Weight (incl. handle)	2.95kg
•Dimensions (l x w x h)	152mm x 136mm x 28mm
•Compatibility	Compatible with all recognised industrial gamma projectors.

## Material Specifications

•Handle, lid and housing	Aluminum
•Gear	Brass
•Bearings	Sealed roller bearings
•Handle spindle	Nylon
•Handle pin	Tool steel
•Guide nipples	Stainless steel
•Liner	Tempered
•Reel	Mild steel
•Pistol-grip	Stainless steel

## Optional Accessories

- Pistol grip winding mechanism
- Customized outer hose; inner cable (minimum length 7.62m)
- Fittings for all recognized industrial gamma projectors



## GAMMATEC

P.O. Box 264786 Three Rivers, 1935, south Africa  
13 King Street, Duncanville Ext 3, Vereeniging  
Tel: +27 16 454 0260 Fax: +27 16 423 3442

Distributed by:

