

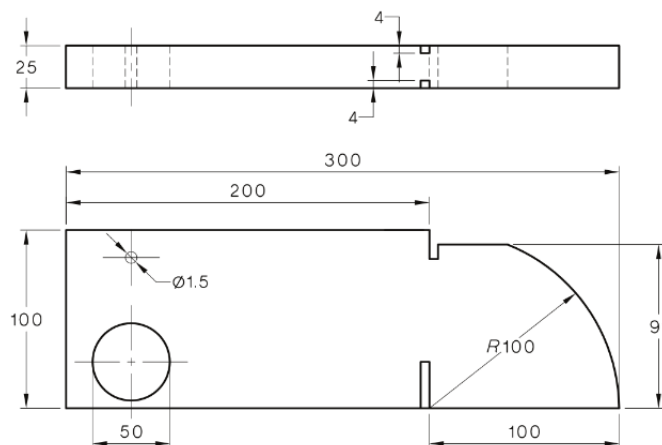
AS2083 Block 1

Also known as **V1 block**



AS2083 Block 1 (also known as **V1 block**) is an ultrasonic testing (UT) tool used for the calibration of the time base of longitudinal and shear wave transducers. AS2083 Block 1 is also used for verification of shear wedge exit point and refracted angle and it can also be used for resolution and sensitivity checking.

- Metric version with 1.5mm hole
- Not to be confused with IIW-Type 1, or ISO 2400 (block 1)



DIMENSIONS IN MILLIMETRES

| | |
|----------------------|--|
| Weight (block only): | 5.1 kg |
| Shipping Weight: | 6.0 kg |
| Size: | 300 x 100 x 25mm |
| Material: | 1018 Carbon Steel (other materials available) |
| In accordance with: | Australian Standard AS 2803, British Standard BS 2704 Block A2 Mod. 1, German Standard DIN 54-120, and ISO 2400. |
| Other common names: | V1 (A2) |

Check out our complete range of UT [calibration blocks](#).



Russell Fraser Sales NDT has all your [ultrasonic testing](#) equipment needs covered:

Contact Us: Tel: +61(0)2 9545 4433 | Email: rfs@rfsales.com.au