

DATA SHEET

GAUSSMETER

Model 5200 series



01 Description

The 5200 series Hall effect portable gaussmeters represent the most recent design from the world leader in magnetic measuring equipment. This design incorporates the use of digital signal processing technology. F.W. Bell's exclusive dynamic probe correction allows measurements from 0 to 30 kG with a basic accuracy of 1%.

Key features include auto zero, min./max./peak hold, auto range and relative mode. Both models allow the user to select Gauss, Tesla or Ampere/meter readings. Both 5280 & 5270 features a corrected analog output ($\pm 3V$ FS) and a USB communication port.

The 5200 series hand-held gaussmeter's built-in software eliminates the need for complex calibration procedures. User prompts on the custom formatted LCD allow fast, simple push button and touch operations. All models come equipped with a detachable transverse probe, zero gauss chamber, instruction manual, hard carrying case, and a Li-Ion rechargeable battery. Axial, ultra-thin transverse and low-field probes are available as options.

Probe Options

| 5270 | 5280 |
|---------------------------|---------------------------|
| STH17-0404, 4" transverse | STD18-0404, 4" transverse |
| STH17-0402, 2" transverse | STD18-0402, 2" transverse |
| SAH17-1904, 4" axial | SAD18-1904, 4" axial |
| SAH17-1902, 2" axial | SAD18-1902, 2" axial |
| HTH17-0604, 4" transverse | HTD18-0604, 4" transverse |
| MOS51-3204, low field | |

02 Key features and benefits

- 4.3" LCD touch-screen
- Controls for sound/brightness/dark mode
- 10 to 14 hours on Li-Ion rechargeable battery
- 2 hours charge time typically
- USB-C 2.0
- Remote PC control option
- 512 kBit internal memory (5280)
- Audio/visual alert when in range (5280)
- CE compliant

03 Applications

- Sensitive laboratory environment
- Rugged industrial setting
- Magnetic field intensity verification
- Measurement of magnetic components/motors
- North/South polarity
- Magnetic field leakage detection

04 Contact

Authorized distributor:

Magnetic Sciences Inc
367 Arlington St.
Acton, MA 01720
USA

Tel: +1 (978) 266-9355
www.magneticsscences.com

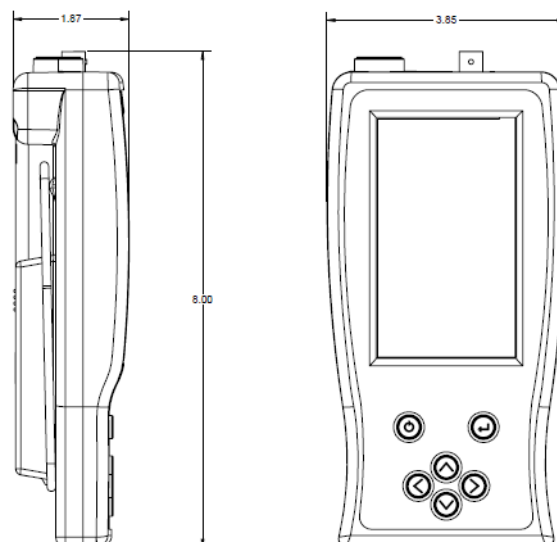
DATA SHEET

GAUSSMETER, Model 5200 Series

05 Specifications

| Characteristics | | |
|-----------------------|---|--------------------------|
| Model: | 5270 | 5280 |
| Basic DC accuracy | 2% | 1.1% |
| Frequency bandwidth | DC-20 kHz | DC-25 kHz |
| Update rate: | | |
| Display | 10 updates / sec. | 10 updates / sec. |
| Analog | 100K samples / sec. | 100K samples / sec. |
| Ranges: | | |
| Ultra-low range | 1 G | 1 G |
| Low range | 200 G | 300 G |
| Mid-range | 2 kG | 3 kG |
| High range | 20 kG | 30 kG |
| Resolution: | | |
| Ultra-low range | 1 mG | 1 mG |
| Low range | 0.1 G | 0.1 G |
| Mid-range | 1 G | 1 G |
| High range | 10 G | 10 G |
| Readings | Gauss, Tesla, Amps/meter | Gauss, Tesla, Amps/meter |
| Operating temperature | 0°C to 50°C | |
| Storage temperature | -25°C to 70°C | |
| Meter weight | 0.98 lbs. (443 g) | |
| Size | 8.00" x 3.85" x 1.87" (20.32 cm x 9.78 x 4.75 cm) | |
| Compliance | EN IEC 61326-1:2021 | |
| Drop Test | 1 Meter drop per IEC 61010-1: 2010 | |

06 Outline details



Note: Due to continuous process improvement, specifications are subject to change without notice.



Russell Fraser Sales Pty Ltd

Unit 10 / 1-11 Burns Road, Heathcote NSW 2233 Australia

Ph: +61 2 9545 4433 Email: rfs@rfsales.com.au Website: rfsales.com.au